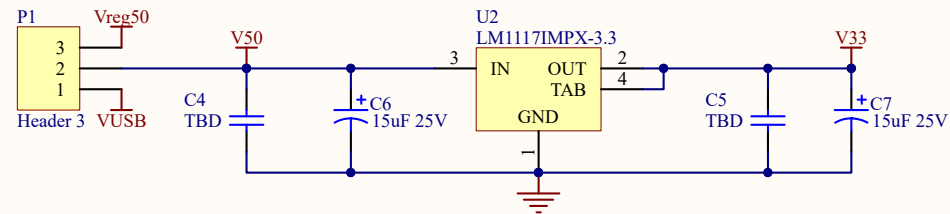
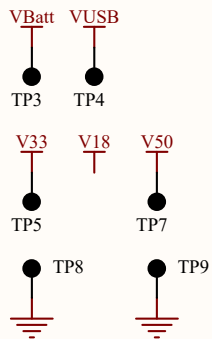
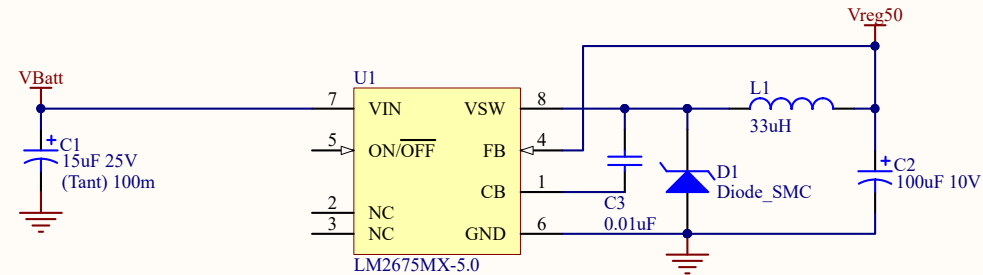
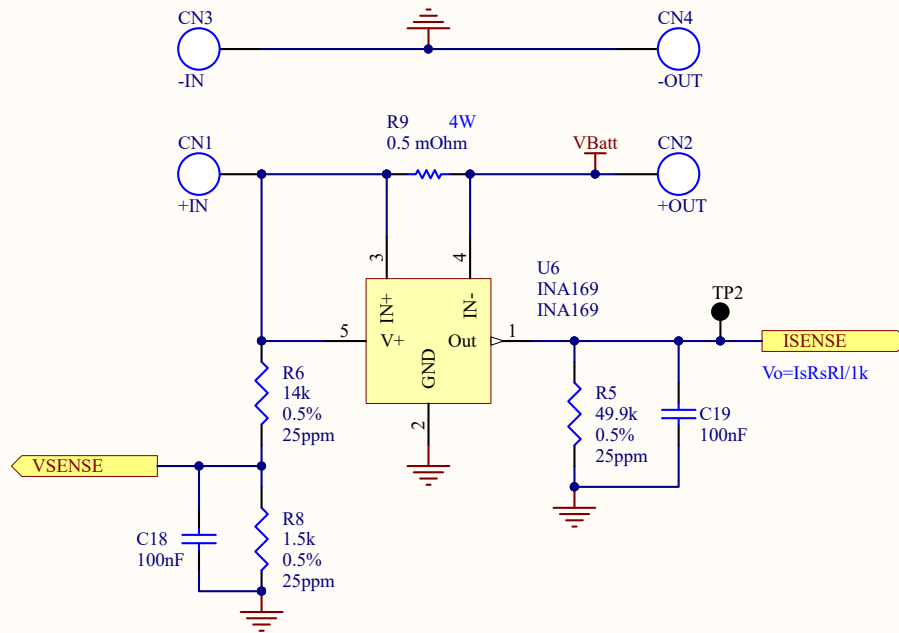
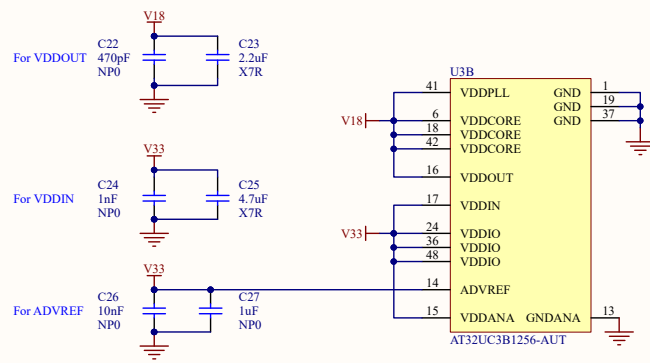
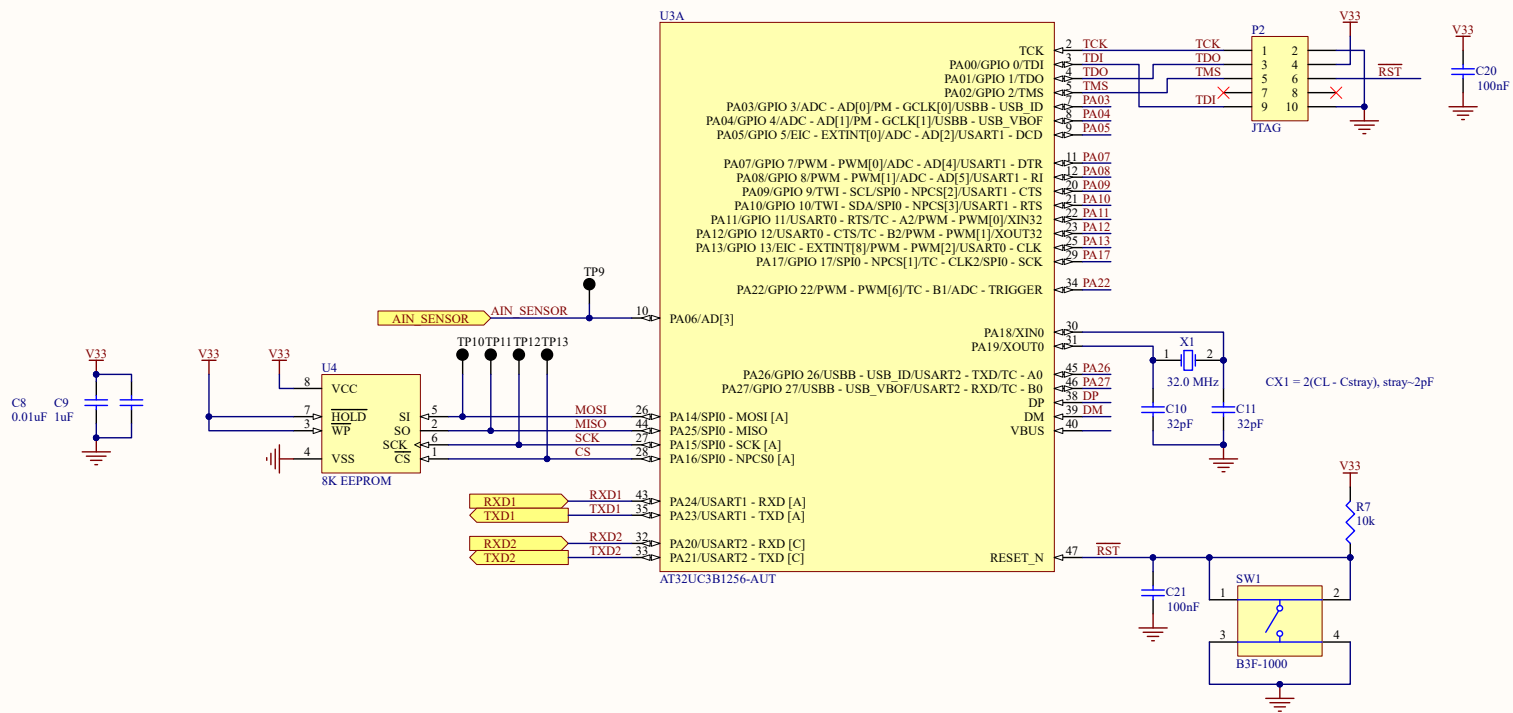


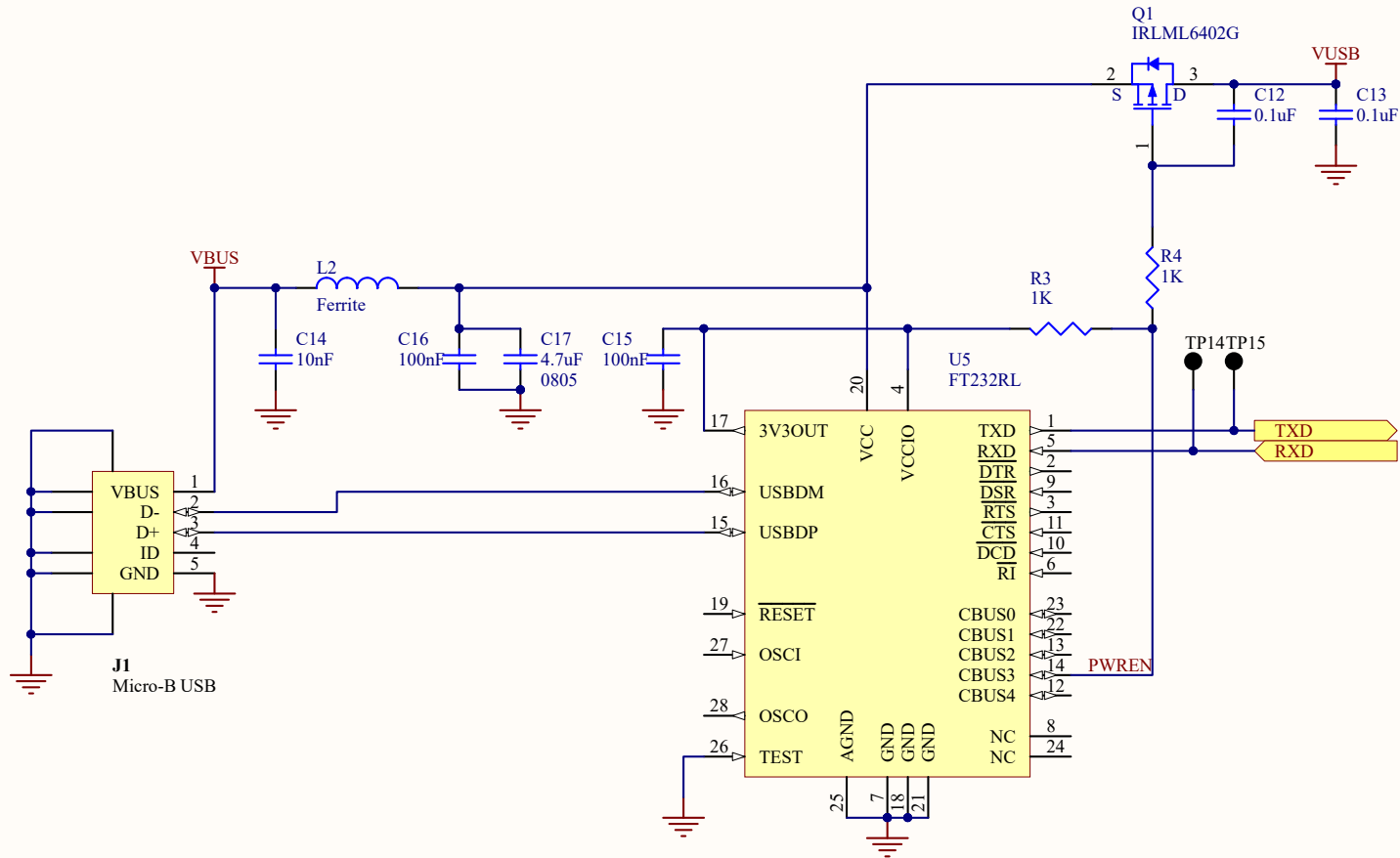
Title		
SAFE Drone Interface Board MAIN		
Size	Number	Revision
A	NA	-
Date:	2/16/2017	Sheet 1 of 6
File:	C:\Users\...\0-MAIN.SchDoc	Drawn By: J.KLINE



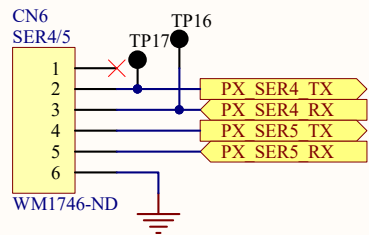
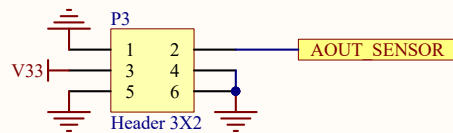
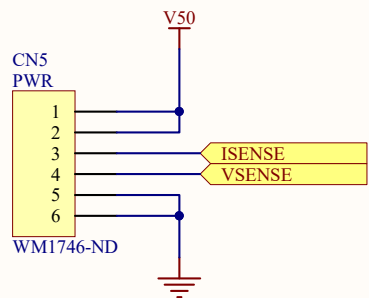
Title		
SAFE Drone Interface Board POWER SUPPLY		
Size	Number	Revision
A	NA	-
Date:	2/16/2017	Sheet 2 of 6
File:	C:\Users\...M-PSU.SchDoc	Drawn By: J.KLINE



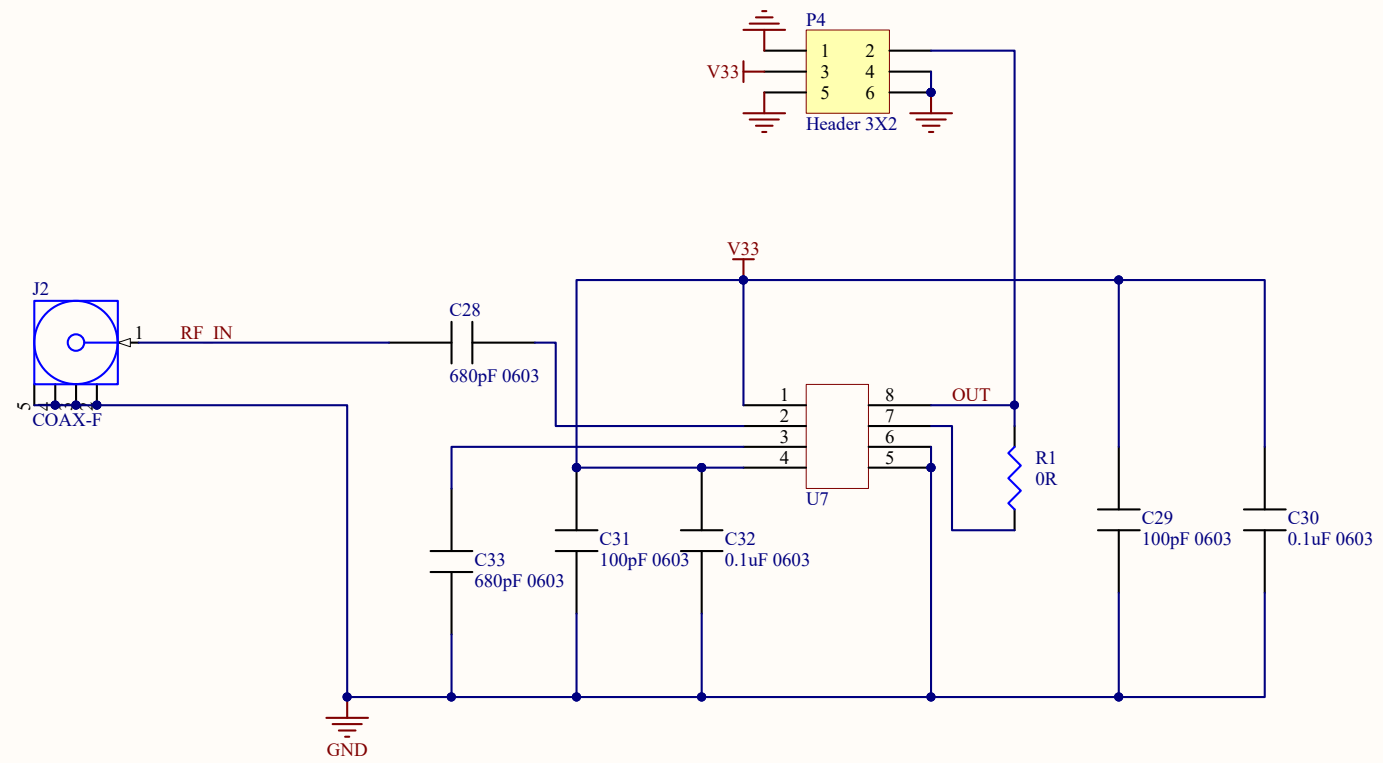
Title		
SAFE Drone Interface Board MICO		
Size	Number	Revision
A3	NA	-
Date:	2/16/2017	Sheet 3of 6
File:	C:\Users\...2-MCU.SchDoc	Drawn By: J.KLINE



Title		
SAFE Drone Interface Board COMMUNICATIONS		
Size	Number	Revision
A	NA	-
Date:	2/16/2017	Sheet 4 of 6
File:	C:\Users\...\3-COMS.SchDoc	Drawn By: J.KLINE



Title		
SAFE Drone Interface Board CONNECTIVITY		
Size	Number	Revision
A	NA	-
Date:	2/16/2017	Sheet 5 of 6
File:	C:\Users\...4-WIRE.SchDoc	Drawn By: J.KLINE



Title		
SAFE Drone Interface Board SENSOR		
Size	Number	Revision
A	NA	-
Date:	2/16/2017	Sheet 6 of 6
File:	C:\Users\...\Daughterboard.SchDoc	Drawn By: S.THOMAS